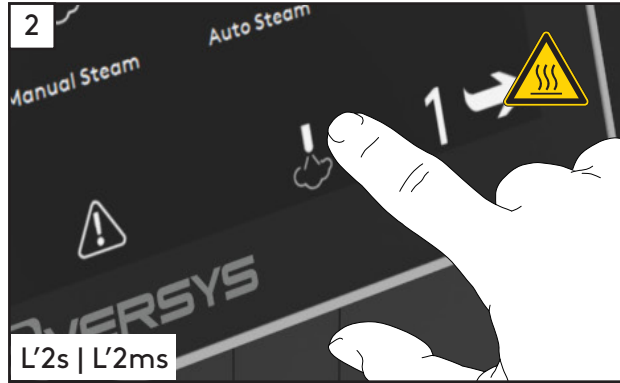
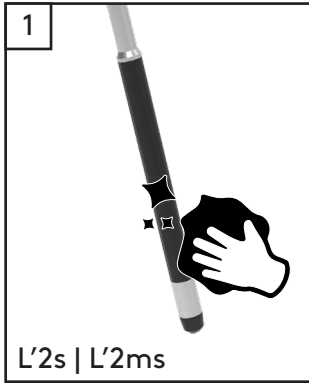
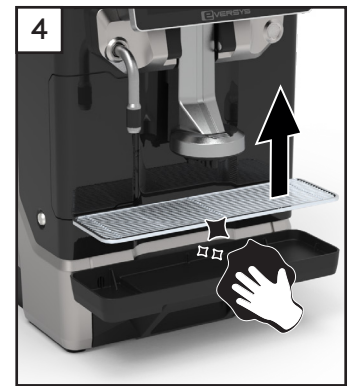
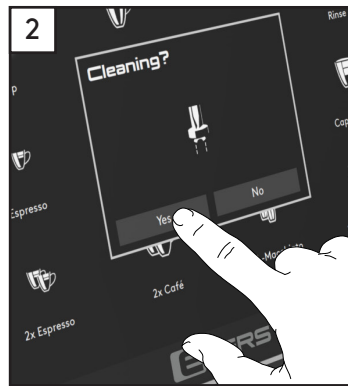




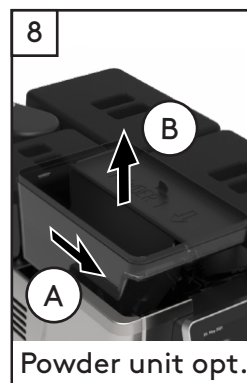
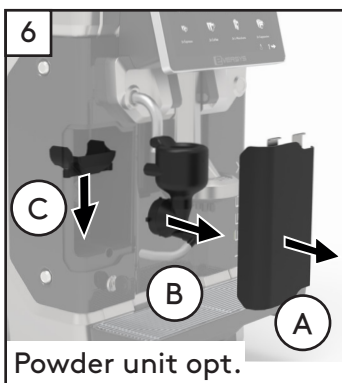
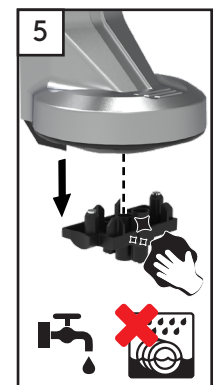
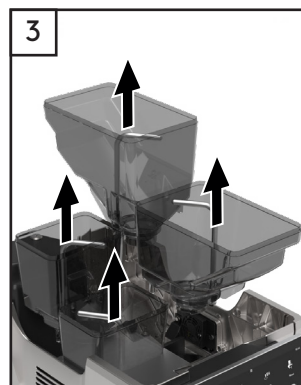
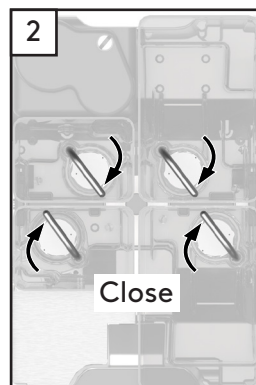
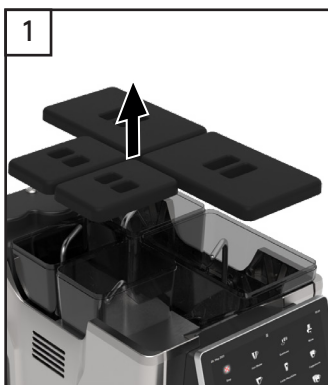
AFTER EVERY USE



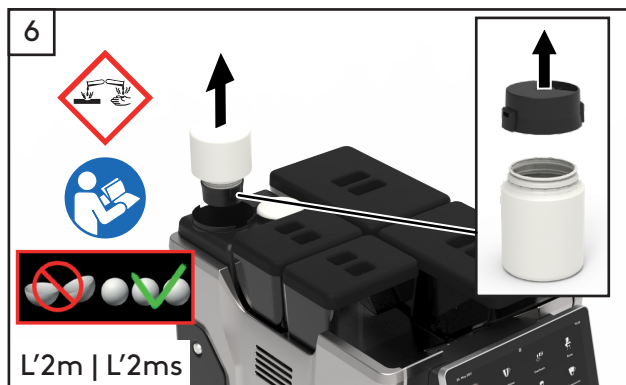
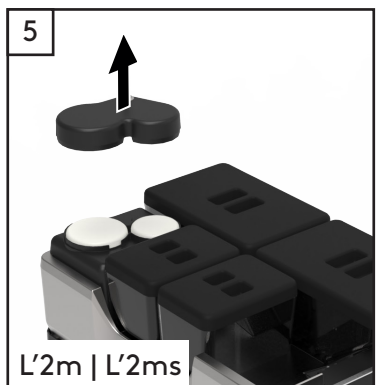
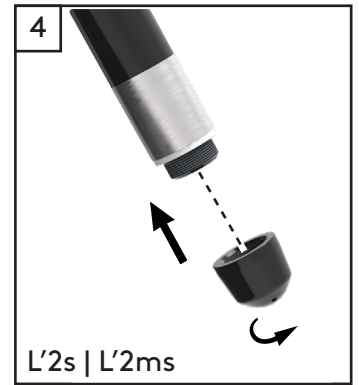
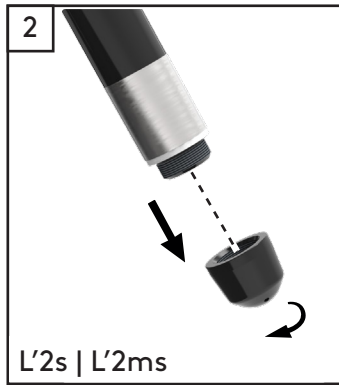
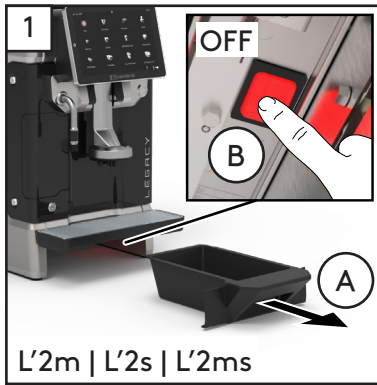
DAILY



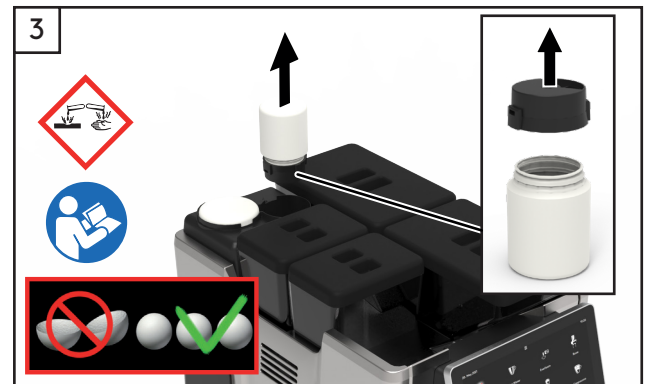
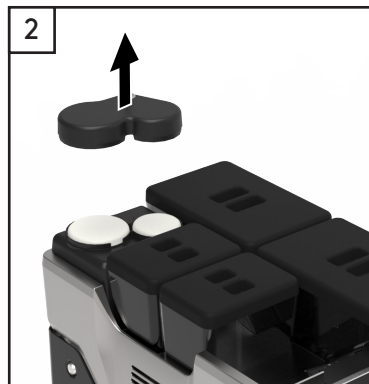
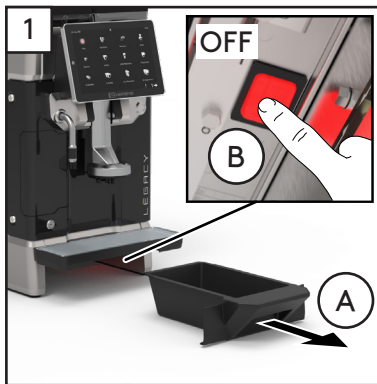
WEEKLY



#31 MONTHLY



#62 BI-MONTHLY



CLEANING PRODUCTS

1 x Milk cleaning balls containers
Art. Nr. 114141



4 x Coffee cleaning balls containers
Art. Nr. 101448



Please scan this QR code and read the User Manual before using the appliance.



The technical specifications, illustrations and dimensions contained in these instructions are given only as a guidance. They are not subject to any claim. The manufacturer reserves the right to make technical improvements to its equipment, without amending these instructions. For more information, please contact your representative.